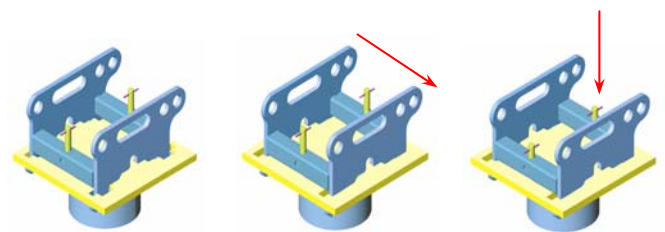
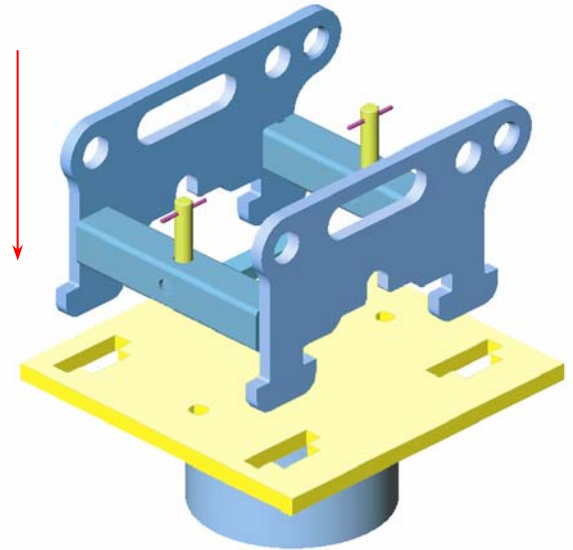


**flush davit base,
used as a portable davit base**

Flush davit bases, when used with fixed flush style pedestals, can provide a cost-effective approach to provide the support equipment for a davit system. These portable systems are most effective on smaller, single level applications, and are accepted by many regional codes.

A pair of portable flush davit bases slide into the fixed flush style davit pedestals and are secured with provided pins. Davit arms are then fitted to each base, and the davits are erected and secured. The flush davit bases are then moved from location to location, along with the powered platform.

All varieties of flush style pedestals are available for every mounting method, including new or retrofit applications. Fig. 2 shows a typical detail, and other attachment methods are available.



U.S. patent No.: 6,536,734

FLUSH DAVIT BASE series DS

materials:

base - G40.21-44W galvanized steel Fy = 44 KSI

ref. no.	maximum davit boom reach	weight
DS5F	8' - 6" (2.59 m)	36 lbs. (16 kg)

FLUSH DAVIT PEDESTAL series DPF
welded to steel structure

materials:

pedestal - G40.21-44W galvanized steel Fy = 44 KSI

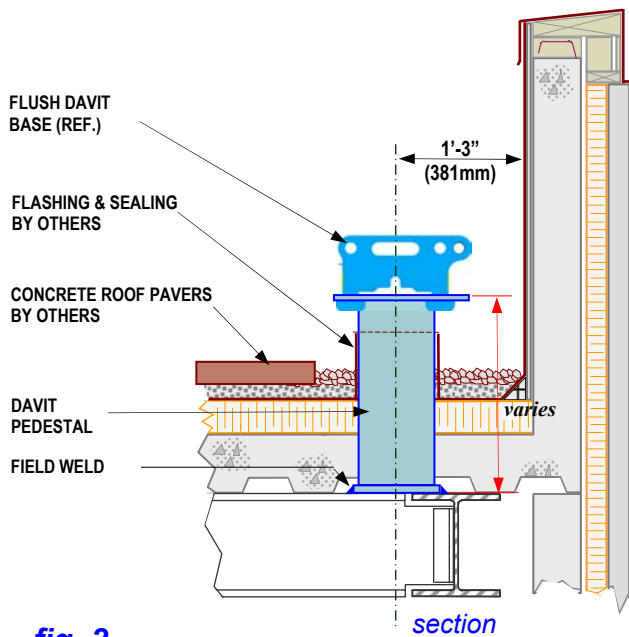


fig. 2